

is made or implied. If engine is returned to the factory within warranty, include 50¢ to cover cost of handling and return postage.

Do not take engine back to your dealer.

FACTORY REPAIR SERVICE

Minor repairs, examinations, or adjustments — \$2.50 plus parts. Complete overhaul, new engine performance guaranteed: .15 — \$9.50; .09 — \$8.00; .049 — \$6.50. These prices include parts. On all C.O.D. shipments purchaser pays postage and C.O.D. fees.

SPEEDS

The following speeds are typical of engines selected at random and run under average conditions.

	MEDALLION .049 RPM	MEDALLION .09 RPM	MEDALLION .15 RPM
5" Dia. x 3P	18,700		
5" Dia. x 4P	16,000		
5 1/2" Dia. x 4P	15,200		
6" Dia. x 3P	15,000		
6" Dia. x 4P	12,600	16,000	
6" Dia. x 5P		15,250	
7" Dia. x 3P		15,000	
7" Dia. x 3 1/2 P		11,400	14,800
8" Dia. x 4P		10,800	13,800
7" Dia. x 6P			13,500
9" Dia. x 3P			13,200

PARTS ORDER

Purchase parts from your dealer. If not available, order direct from factory. No C.O.D.'s please. Send remittance with your order. On orders less than \$2.00 add 35¢ handling charge. California residents, enclose applicable state sales tax.

PARTS LIST	MEDALLION .049		MEDALLION .09		MEDALLION .15	
	Cat. No.	List Price	Cat. No.	List Price	Cat. No.	List Price
Glow Head & Gasket	302-1	1.10	2302	1.75	1102	2.00
Needle Valve & Spring	2309	1.10	2309	1.10	2209	1.35
Prop Spinner & Screw	1718	.90				
Carburetor Body Only	2424	.90	2324	.90	2224	1.15
Cylinder Piston & Rod	375	3.50	2375	5.50	2275	8.50
Cylinder, Piston & Throttle (R/C engines)	2468	5.50	2368	6.50	2268	9.50
Crankcase, Carburetor, Body, Retainer Nur, Drive Plate & Crankcase Cover	2479	8.50	2379	10.50	2279	11.95
Spray Bar, Retainer, Needle Valve & Spring	2389	1.75	2389	1.75	2289	2.00
Prop Washer & Screw			2319	.90	1119	.90

Order Parts by Catalog Number
Prices subject to change without notice.

COX HOBBIES INC.

a subsidiary of LEISURE DYNAMICS, INC.
1505 East Warner Avenue, Santa Ana, CA 92702
COX HOBBIES INC., 1976
Litho in U.S.A. 11-76 R7 2259

removed and repositioned so that the Needle Valve is on the opposite side of the engine. To remove the Spray Bar first remove the Needle Valve and Needle Valve Spring. Remove the small Retainer Ring which locks the Spray Bar into the plastic Carburetor Body. Carefully press the Brass Spray Bar out of the Carburetor Body. Reposition the Spray Bar from the opposite side and replace Retainer Ring, Needle Valve Spring and Needle Valve. When replacing the Spray Bar, make certain the fuel jet hole points downward (towards the Crankshaft) in the venturi.

(E) PRESSURIZING

Pressurizing is very critical when taken directly off the crankcase. On this engine pressurizing means have been provided and the rotary valve controls the pressure to normal operating limits. The hole in the pressure fitting on this engine is already started, but the hole will have to be drilled through the crankcase at this point before you can run on the pressure.

1. Remove the back cover, cylinder, piston and rod assembly, venturi and needle valve assembly.
2. Rotate crankshaft until the port opening in the shaft points towards the pressure fitting on the right side of the red plastic carburetor body.
3. Continue drilling the hole already started in the pressure fitting through the crankcase. Use a #60 drill (.040 diameter).
4. Rotate crankshaft to deburr the drilled hole.
5. Flush crankcase and shaft thoroughly with methanol to remove all metal particles.
6. Lubricate shaft with light weight oil and reassemble engine.

The fuel tank must be air tight in order for the engine to operate properly on pressure. Be sure the tubing that connects the pressure fitting on the engine to the tank is also air tight. If the engine does not run smoothly air is getting into the pressure system. Check it thoroughly.

With pressure, the venturi may be opened to 7/8" diameter to attain maximum power.

(F) TO REMOVE CARBURETOR BODY FROM AN ENGINE:

1. Remove backplate, cylinder, and piston-rod assembly.
2. Remove spinner and engage prop screw approximately 3 or 4 threads in crankshaft.
3. With rear of crankcase on a hard smooth surface, tap prop screw with hammer until thrust washer disengages from crankshaft.
4. Unscrew carburetor retaining nut and slip carburetor body off.
5. To re-assemble engine, reverse above procedure. Thrust washer face down on a smooth flat surface. Obtain a short length of wood dowel of a size that will fit into the intake hole of crankshaft. Tap dowel with hammer until thrust washer is fully seated on crankshaft.

WARRANTY

This engine is guaranteed against defects in materials and workmanship for 30 days from date of purchase. Glow heads are never guaranteed because of their delicate nature. No other guarantee

CARE AND OPERATION OF YOUR



MEDALLION .049, .09 & .15 ENGINES

THESE ENGINES ARE OUTSTANDING FOR SPORT FLYING, BOTH CONTROL LINE AND FREE FLIGHT

Keep it immaculately clean, use Cox glow fuel or racing fuel and it will maintain its winning characteristics for a long period of time.

This engine is precisely fitted at the factory for immediate easy starting and immediate flight. A break-in period in the ordinary sense is not necessary for flight, in fact, a slow, easy break-in is not desirable. Most of these engines will develop almost full power within one minute of running time; but a few, those which are slightly on the tight side, may not develop full power under one hour. Even these will develop sufficient power for average flying almost immediately. The only break-in required is very rich (slow) running for the first 60 seconds after starting the first time. After 60 seconds it should be ready to go. 30 minutes running time will add a few RPM for peak contest operation.

Elimination of break-in is not attained through loose or sloppy fitting, but through very precise fitting, together with super fine wearing surfaces.

Remember — your Medallion engine is much happier at high speeds. Let it wind up. Do not use over-size props.

(A) PREPARATION FOR RUNNING

1. Mount the engine in the plane, or if you want to give it some running first, mount it on a suitable motor. Do not hold the engine directly in a vise. Use A-Fig. 2, A-Fig. 3 or A-Fig. 4 as a template to drill mounting holes.
2. Place propeller on the shaft with the flat side of the blades toward engine and lock securely with the propeller screw.
3. Procure a fuel tank from your local hobby dealer and connect the tank outlet to the carburetor fuel inlet nozzle. Best results will be obtained by mounting the tank close to the engine and with the average fuel level at the same height as the carburetor venturi.
4. Procure a 1 1/2 volt Cox dry cell battery, or equivalent, and connect it with 2 flexible insulated wires to the glow plug clip as shown in the diagram A and B — Fig. 1. Do not use a stronger battery. If you do, the plug will burn out. The connections should be soldered to insure good contact, and taped to prevent bare ends of wire from getting together and "shorting" the battery. Be sure the battery is a good one. Your dealer sells batteries and glow plug clips. The Cox plastic mounted glow plug clip (Cat. No. 755-6) with wires already attached is recommended and requires no soldering.
5. Balance and trim propeller. This is very essential for good performance. Sand off any bead

of plastic along the edges of the blades. Fit a drill or shaft through the hole and rest the shaft on razor blades set in wooden blocks as shown in C-Fig. 1. Sand the heavy blade until the propeller will balance in a horizontal position. Care must be taken to do the sanding without spoiling the airfoil characteristics of the propeller blades. Caution: Use only nylon or wooden props. Styrene props are extremely dangerous on these engines.

(B) STARTING THE MEDALLION ENGINE

No matter how expert you are with small engines you will have better luck with these engines if you follow directions exactly as listed and do each operation in the exact order given.

1. Close the carburetor needle valve, B-Fig. 2, B-Fig. 3, or B-Fig. 4, by turning it clockwise until it stops. Do not force it.
2. Fill the tank with Cox fuel.
3. Open the needle valve (counter clockwise) exactly 5 turns for the .049 and .09, and 6 turns for the .15 engine.
4. If the fuel level in the tank is lower than the carburetor venturi, put your finger over the air intake of the engine and pull the prop through compression until the fuel hose is full. Use a clear plastic fuel line so this can be checked visually. If the tank is mounted so the fuel level is higher than the carburetor the hose will fill itself when the needle valve is opened.
5. Connect the battery by snapping the clip on the glow head, B-Fig. 1.
6. Squirt a few drops of fuel into the exhaust ports and immediately flip the propeller over counter clockwise. For quick starting, the propeller must be flipped vigorously. The engine should start instantly if it has been primed with the correct amount of fuel in the exhaust port.
7. When the engine starts it will be running very rich and slow. The first time the engine is started let it continue to run rich for a period of 60 seconds. After approximately 60 seconds, slowly close the needle valve clockwise to the best running position and remove the battery connection. Subsequent starts may be adjusted to best running position immediately.
8. If starting is delayed for any reason, close needle valve, otherwise engine will become flooded. This precaution is only necessary if the tank is mounted so the fuel level is higher than the carburetor.

(C) FAILURE TO START

1. If the engine coughs and spits a bit of fuel spray from the exhaust, it is too rich. Close the needle valve and continue cranking until engine starts briefly. Open the needle valve again and crank it over. It should start immediately. Blowing into the exhaust ports between flips will help clear the excess fuel out of the glow plug.
2. If it starts up with lots of power and dies immediately it is too lean. Open the needle valve a half turn, prime the engine, and crank it over again. If the trouble persists and the tank is lower than the carburetor try choking again as in Section B Par. 4. If the engine hasn't been run for some time it is possible that thick castor oil

FULL SCALE VIEWS OF THE MEDALLION .09
FOR INSTALLATION INFORMATION

FULL SCALE VIEWS OF THE MEDALLION .15
FOR INSTALLATION INFORMATION

SPECIFICATIONS

	MEDALLION .049	MEDALLION .09	MEDALLION .15
Weight	1.499 oz.	2.72 oz.	4.243 oz.
Bore	.406"	.497"	.591"
Stroke	.386"	.471"	.556"
Displacement	.049 cu. in.	.091 cu. in.	.152 cu. in.
	.818 cc.	1.497 cc.	2.499 cc.

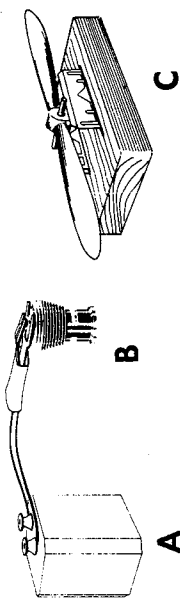


FIG. 1

FULL SCALE VIEWS OF THE MEDALLION .049
FOR INSTALLATION INFORMATION

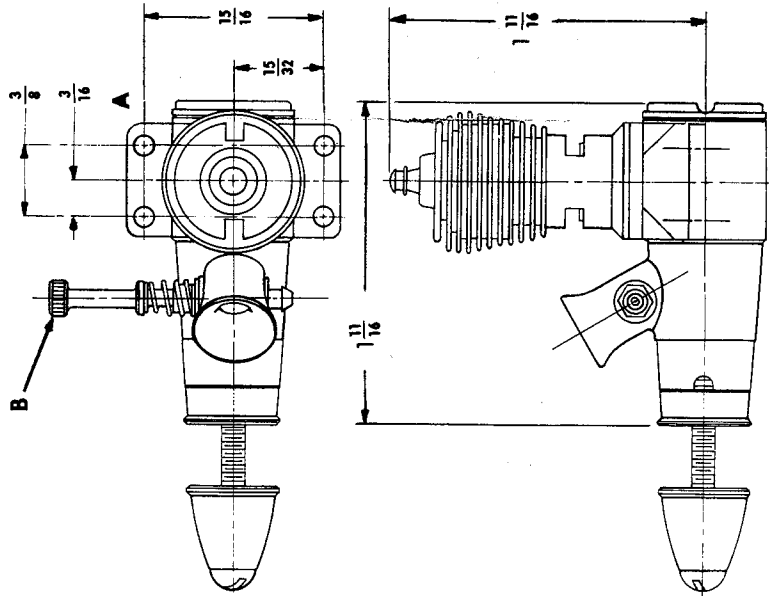


FIG. 2

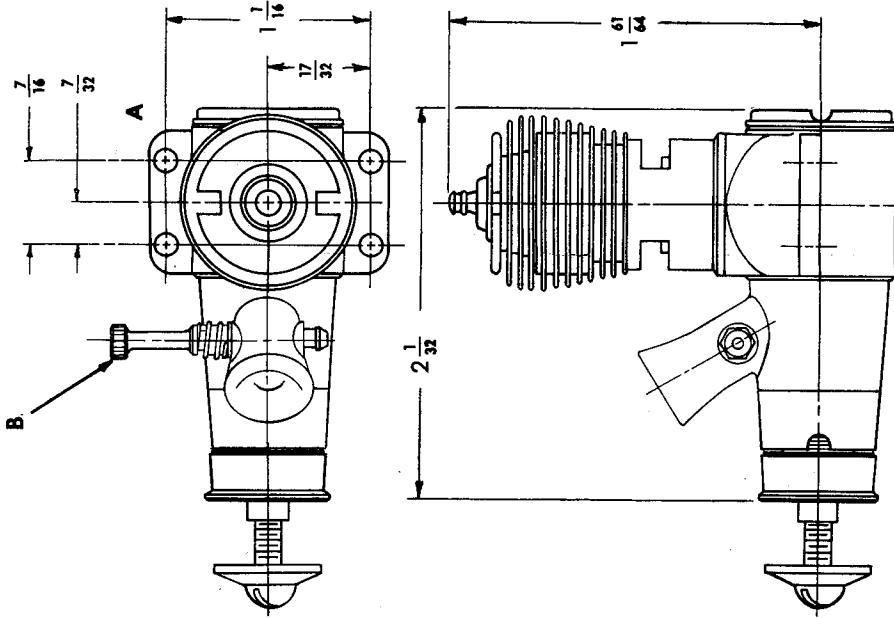


FIG. 3

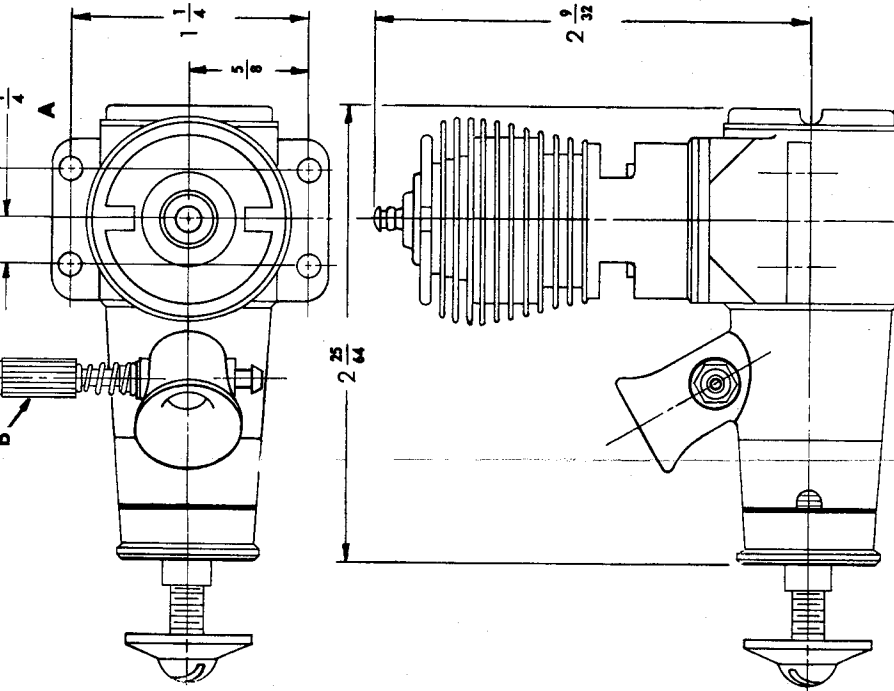


FIG. 4

is clogging the jets. Choking will clear this out.

3. If the engine still persists in above action it is possible that the Spray Jet is stopped up. If this condition exists it will be necessary to remove the Spray Bar and clean the jet with a fine wire. Instructions for removing the Spray Bar are covered in Section D, paragraph 9.

4. If the engine refuses to fire at all screw plug out and connect it to the clip. If the little coil inside does not get red hot, it is either burnt out or the battery is dead, or the connections are made incorrectly. Replace the battery or the plug, or, correct the connections. Glow plugs are never guaranteed. Do not return the engine to the factory for a burnt out glow plug because the cost to you will be excessive. Buy one from your dealer.

5. If you are not using Cox fuel, try it: **Never use gasoline or gasoline type fuels.**

(D) OPERATING TIPS AND ENGINE CARE

1. The glow plug is built right into the head in one unit. When the plug burns out just replace the entire head at the regular glow plug price.
2. After the last run, oil the engine with a light oil (SAE 10 is good) and wrap it with cloth or otherwise protect it from dust and dirt.
3. If the engine gets dirt in it through crack-up or otherwise, do not run it until it is thoroughly cleaned. **Take it apart**, wash it, oil it, and reassemble.
4. If the engine gets tight it is not frozen up.

Do not send to factory. A new engine will sometimes tighten up a few times, especially after slow runs. This is more likely to happen, and will occur more often to an engine that is properly fitted, and has properly smooth wearing surfaces. Do not run it tight. The tightness is caused by a shellac-like deposit on the cylinder wall. Screw the head off. **Remove the cylinder** and scour the inside wall very lightly with a bit of fine or medium steel wool. Wash, oil, and replace. The engine will then turn over freely and run properly. **Never** use sandpaper, emery cloth, or abrasives of any kind, or scrapers. Such methods will ruin the cylinder. Steel wool will not harm the bore.

5. Certain kinds of weather, especially warm humid (sticky) weather will cause excessive shel-

lacking in a new cylinder. There is no known way to eliminate this nuisance and the smoother the fit the more susceptible is the engine to this trouble.

6. Do not tighten the head too firmly. Set it up very lightly. Allow the engine to cool before removing head so it will loosen more easily. Too much pressure against the exhaust ports to hold the cylinder from turning may force the cylinder out of round or even turn a burr into the bore. A new cylinder is usually required to remedy such damage.

7. To remove the glow head from a hot engine—pour a little fuel slowly over the glow head to reduce the head temperature. Do not run it over the cylinder. The head will then release easily. A hot head will stick and forced removal may damage the cylinder.

8. If desired, the Carburetor Spray Bar may be